

Date: _____

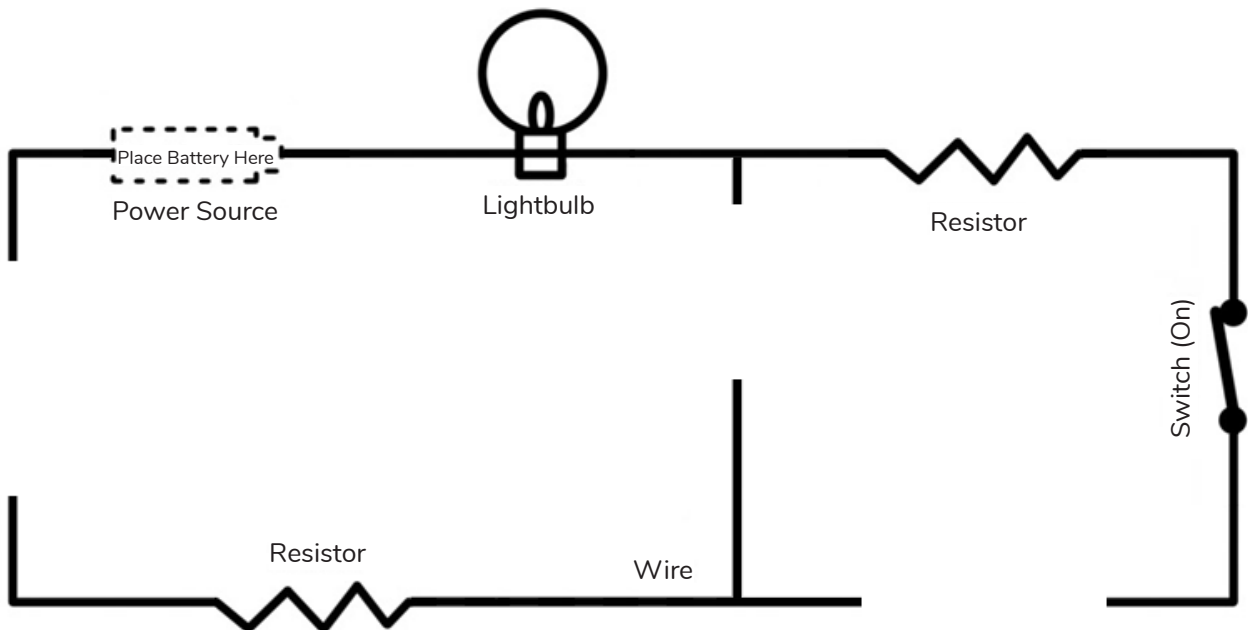
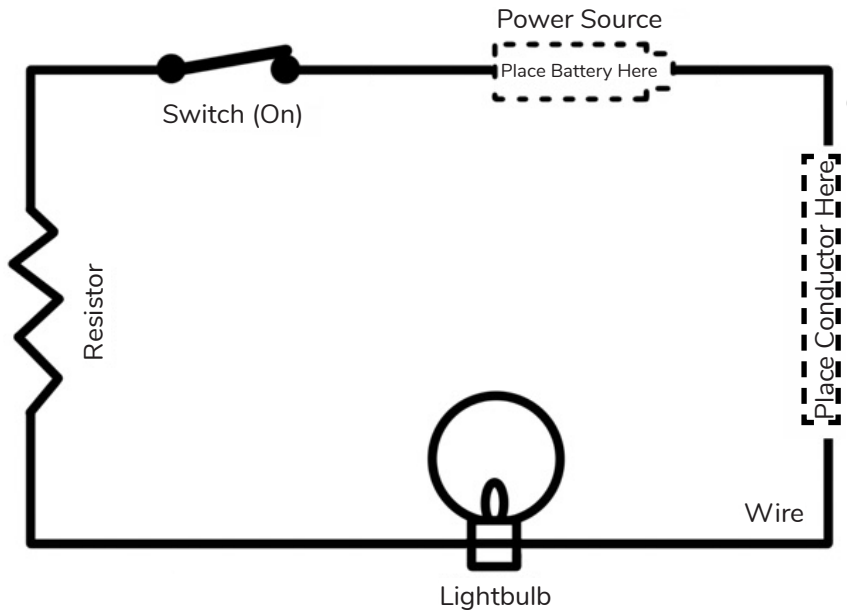
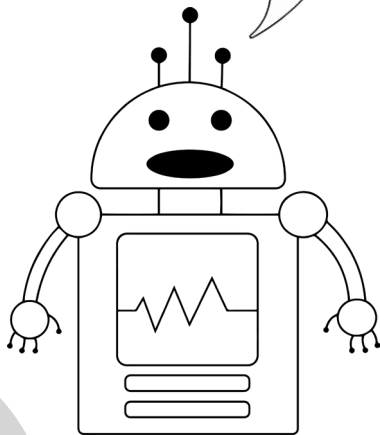
Name: _____

Complete the Circuit

This activity was created by Amaris.

Oh no! Esiw stole some of my wires and now some of my circuits don't work! Can you look around your house and see if you can find some conductors to help complete my circuit? Try finding things made of metal, like silver, copper or aluminum, and place them in the circuits below to complete the circuits.

Sorry! I just really needed some more wires to complete some more circuits in me, so that I can have more functions.

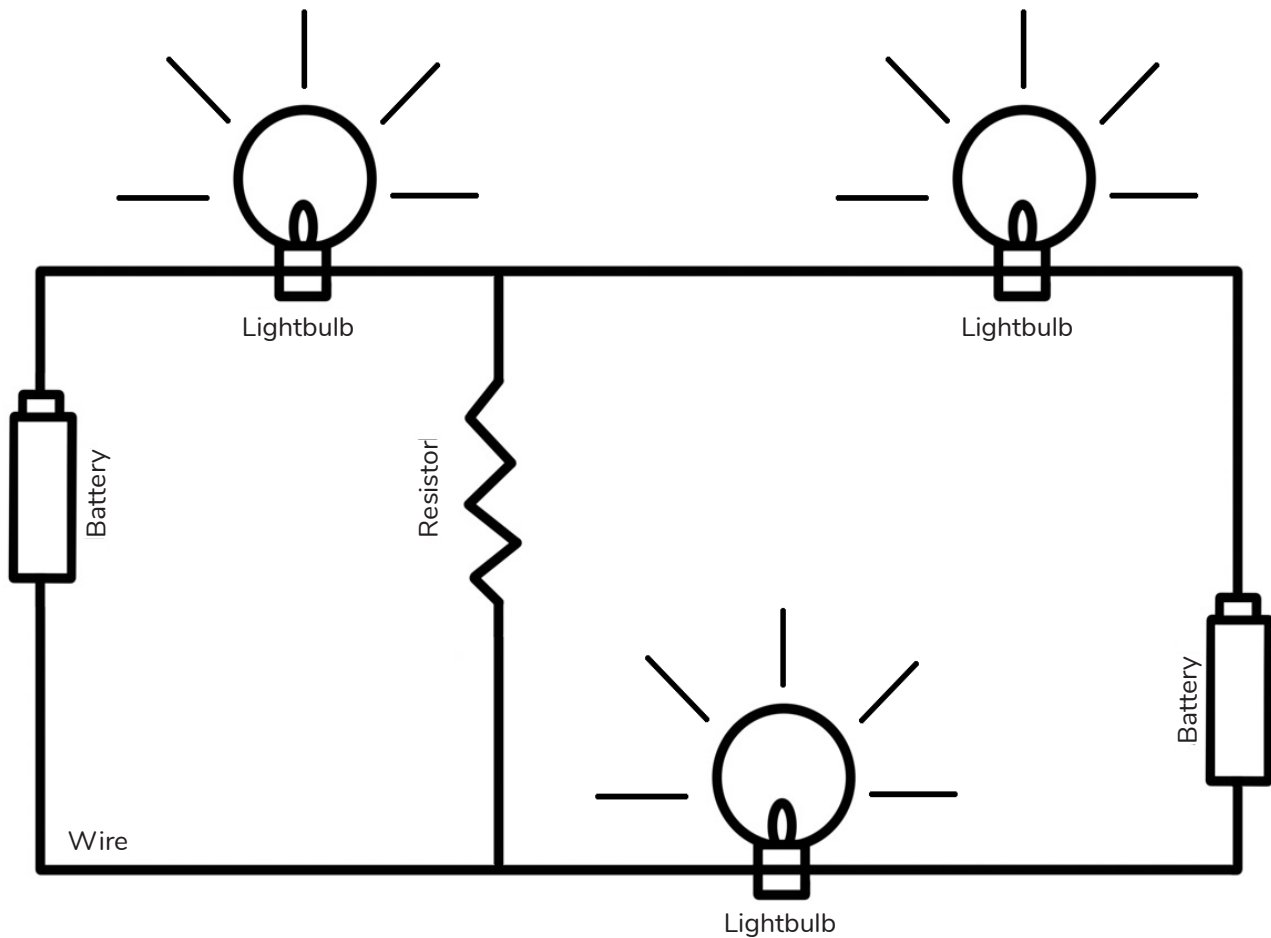


Date: _____

Name: _____

Wow! You did a great job at helping fix those circuits to get them working again!

Could you help me with these circuits too? I messed up when I was making them and I forgot to install a switch and now I don't have any left! I still need to turn these lights off though, can you place a couple insulators from around your house to help turn off the lights in this circuit? Insulators are things that don't conduct electricity very well, things like wood, cloth and plastic.



Careful, this is a parallel circuit, which means there is multiple paths for the electricity to take. Make sure there is no complete circuits so that all of the lights go out. This will probably need a few insulators.