

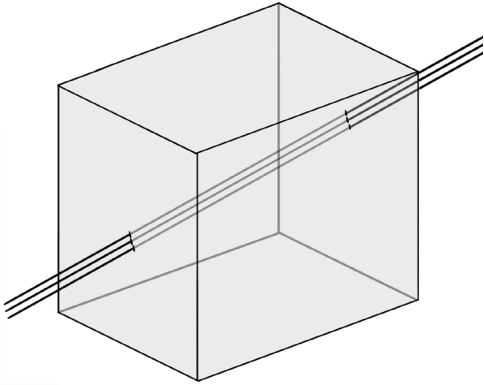
Date: \_\_\_\_\_

Name: \_\_\_\_\_

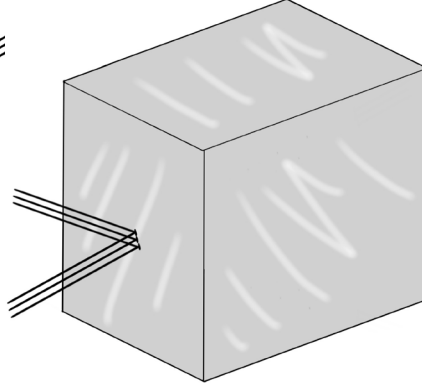
## Reflection Maze

This activity was created by Brenna

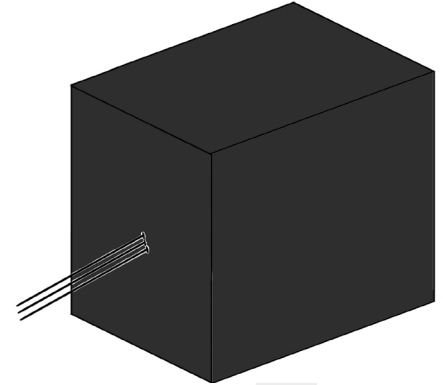
Light is all around us – it's how we see everything! Light is a form of energy that travels in a straight line, but different materials can change its movement.



Light will pass through transparent objects

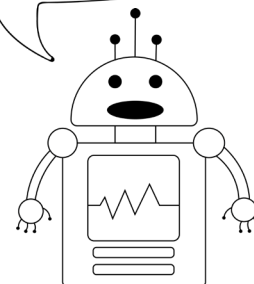


Light will be reflected by smooth and shiny objects. Light will always reflect off an object at the same angle that it hit at.



Light will be absorbed by solid black objects

We can compare the changes in light movement to **functions** in computer code! Functions handle data inputs in specific ways to produce a certain output. In light movement, the original beam of light is like the input, how the material changes the light is like a function, and the reflected / absorbed / unchanged light is like the output.



Date: \_\_\_\_\_

Name: \_\_\_\_\_

Can you add mirrors to the maze below so that the light will bounce around and reach the other end? Avoid the black blocks that will absorb the light and end your light beam!

