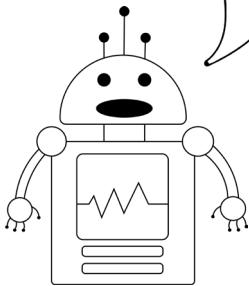


## Homemade Music

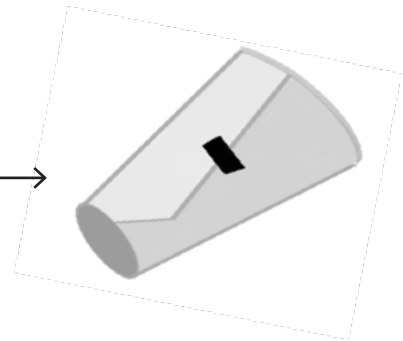
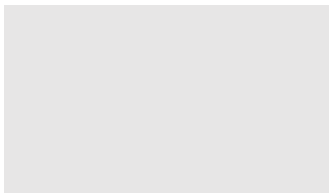
This activity was created by Robyn and Sophia

Did you know that your favourite musicians use coding to make their songs? The music we listen to follows a sequence - when the drums come in, when each note is played, or when each word is sung, this is all planned out in songwriting. You can think of a written song as a **“program”** that tells everyone in the band when to do what. When something is out of order or is not following the artist’s code, they recognize an error. In coding this error that the artist is recognizing would be considered a **“bug”** in their song or code.



Making musical instruments can be easier than you think. In this activity, we will explore a few different instruments we can make using household items. Try out a few or gather the people near you and start a band!

### MEGAPHONE (let’s start with an easy one)



### PAN-FLUTE



#### MATERIALS

- Six plastic straws
- Tape

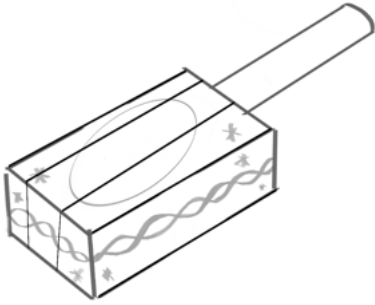
#### DIRECTIONS

1. Ask an adult to help you cut the end of each straw, so each straw is about 5 centimeters shorter than the last
2. Lie the straws flat against a table, from smallest to tallest
3. Use a piece of tape to attach the straws together and then flip it over and do the same to the other side of the flute

Date: \_\_\_\_\_

Name: \_\_\_\_\_

## TISSUE BOX GUITAR



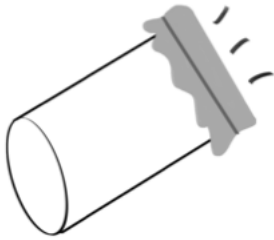
### MATERIALS

- Empty tissue box (any small box from your recycling bin will work)
- Empty paper towel roll
- 2 rubber bands
- Tape

### DIRECTIONS

1. Ask an adult to cut the plastic out of the tissue box
2. Place the paper towel roll onto one of the small ends of the tissue box and trace a circle
3. Cut the circle out of the box
4. Insert the empty paper towel roll into the hole and tape
5. Add a rubber band onto each side of the neck of your guitar
6. Decorate and rock your socks off!

## KAZOO



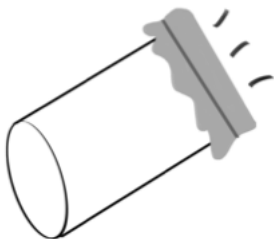
### MATERIALS

- Half a piece of card stock OR an empty toilet paper roll
- One elastic band
- A small sheet of wax paper
- Tape
- Hole puncher or scissors

### DIRECTIONS

1. Decorate your card stock or toilet paper roll
2. If you are using the card stock, use a piece of tape and secure it into a roll shape
3. Use the hole punch and put a hole about a third of the way down the tube
4. Put the piece of wax paper over the end of your tube closer to the hole and attach the elastic band
5. Hum into the open end and make some music!

## RAINMAKER



### MATERIALS

- Empty paper towel roll
- One cup uncooked rice (you could use beans or even small stones)
- Tape
- Card stock paper

### DIRECTIONS

1. Decorate the empty paper towel roll
2. Cover one end of the paper towel roll with card stock and secure with tape
3. Pour the rice into the open end of the tube
4. Cover the open end with card stock and secure with tape
5. Tilt the rainmaker slowly from side to side to hear the rain.