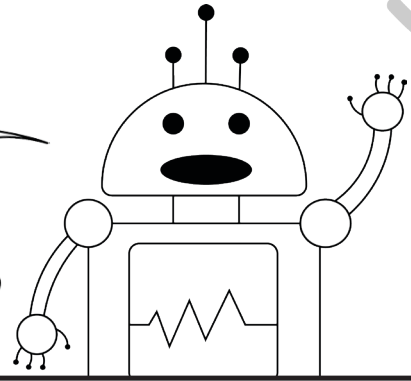


How to Build A Wagon

Instructions are fun! I'm controlled by coding, which is basically just a long list of instructions for me to follow! Follow these instructions to build your own wagon!



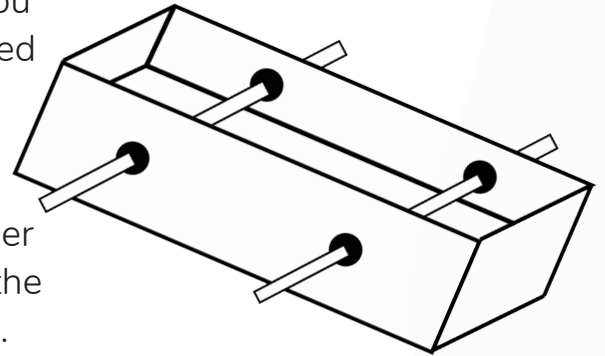
Materials: Cardboard or four plastic bottle caps, empty juice or snack boxes, empty toilet paper or paper towel rolls, skewers or toothpicks, scissors and glue.

STEP 1

Take your box and cut 4 small holes where you want the wheels to go, ask an adult if you need help.

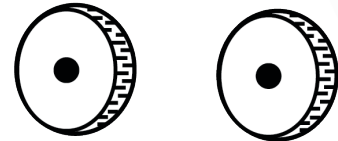
STEP 2

Use either the skewers, toothpicks or any other stick-like thing you can find as an axle. Stick the axles through the wholes you made in step 1.



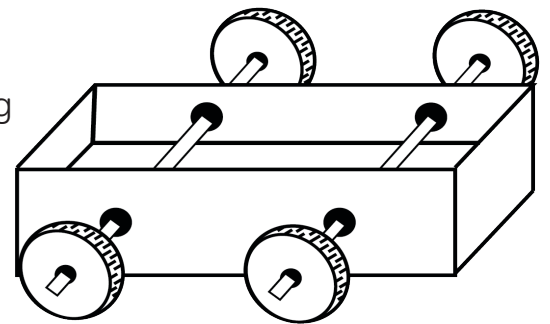
STEP 3

Your wheels can be made of bottle caps, circles cut from cardboard or any other small round things. Cut a small hole in the middle of your four wheels.



STEP 4

Attach the wheels to the end of each axle by putting the axle into the wheel's hole and gluing it in place.



STEP 5

Once the glue dries, test your wagon and see if it can roll. Is there any changes you want to make to your wagon?

Fun Fact:

The wheels spin in different directions depending on which way the wagon is moving. Test it out yourself! Watch the way your wheels spin as you push and pull on the wagon!